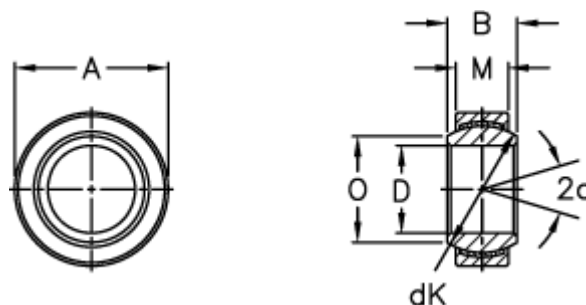


Article number: 03440006

Description: Fluro Rod end GE 6EC

## Measures

---



A	= 14 0 -0,008	Tilt angle = 13
B	= 6	Weight = 4
D	= 6 0 -0,008	
dK	= 10	
Dynamic load C (kN)	= 3.6	
M	= 4	
O	= 8	
Static load C0 (kN)	= 9	